

Pacific Northwest Audio Society Presentation



Thank You from Vanatoo!

- Here tonight to thank PNWAS
- Introduce the Transparent One
"Nothing sounds better, costs less, and better fits the way people live"

Who Are These Guys?

- Rick Kernen
EE, Analog/Digital/Network Guru, CEO (Chief Everything Officer)
- Gary Gesellchen
ME, Speaker/Acoustics Guru, CSO (Chief Sound Officer)
- Claire Foster
ME, PMA/Aesthetics, CGO (Chief Get-It-Done Officer)

August 9, 2012

Pacific Northwest Audio Society Presentation



The Vanatoo Philosophy

- Technology Neutral
We will use the technical solution that best meets our product's requirements and budget, *and that sounds good to our ears.*
- Science Matters
There are nuances to audio perception that science has not decoded, *but the tools of science and engineering have brought us what we have today.*
- Quality Matters Most Of All
We heard it from the audio industry veterans: "People are ignorant of what sounds good. As long as you don't suck, you're good enough."

What a derogatory and cynical attitude toward the customer ☹

At Vanatoo, quality is fundamental to who we are. *We believe that our customers deserve the best we can offer at everything we do.*

August 9, 2012

Pacific Northwest Audio Society Presentation



Some of Vanatoo's Influences



Neville Thiele & Richard Small



Wolfgang Klippel



Floyd Toole



Jerry Pomeroy



Joe Pittman



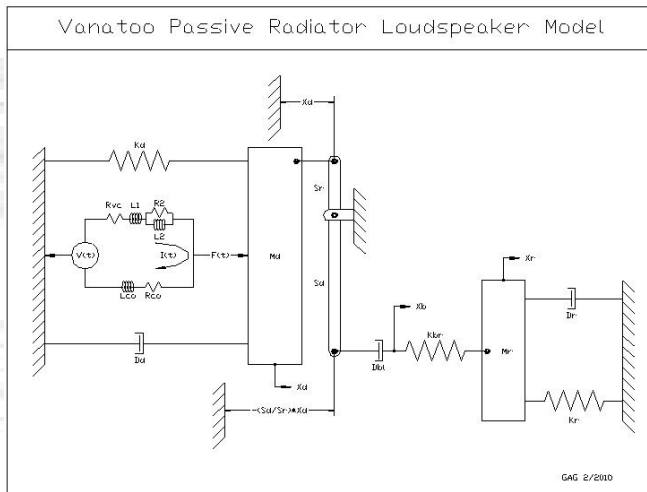
Darin Forkenbrock

August 9, 2012

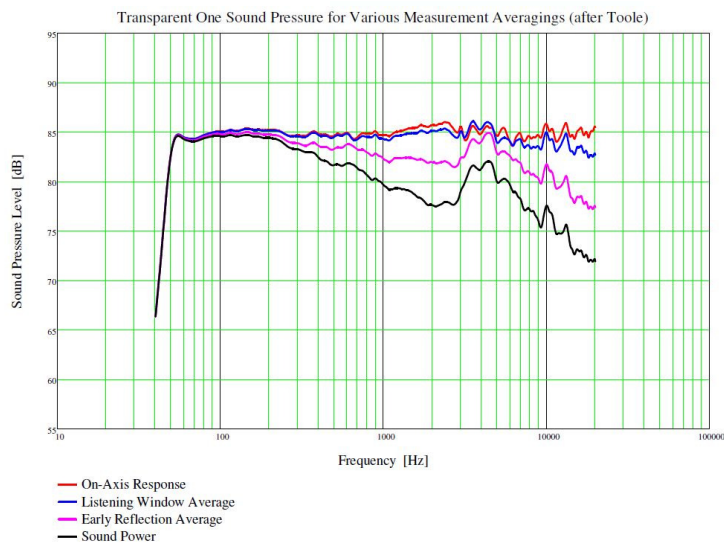
Pacific Northwest Audio Society Presentation



August 9, 2012

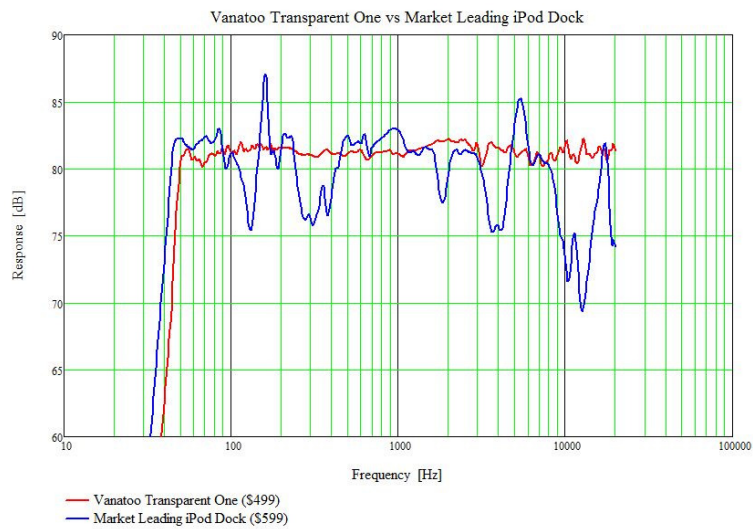


August 9, 2012



August 9, 2012

Pacific Northwest Audio Society Presentation



August 9, 2012